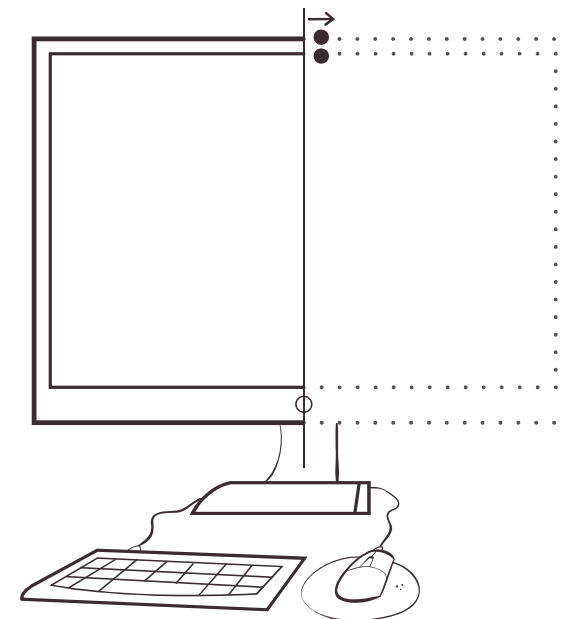
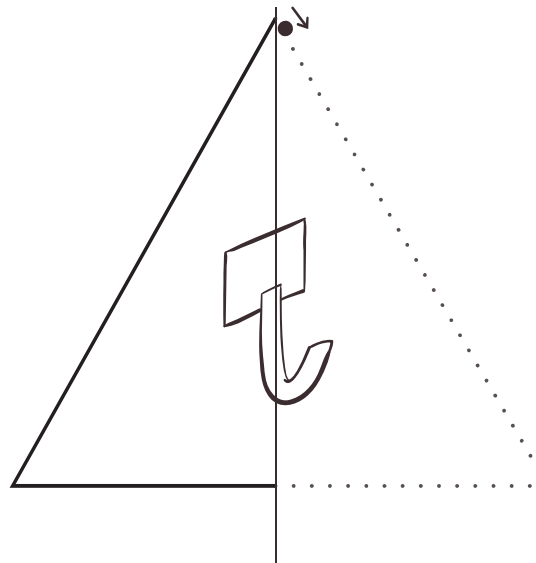
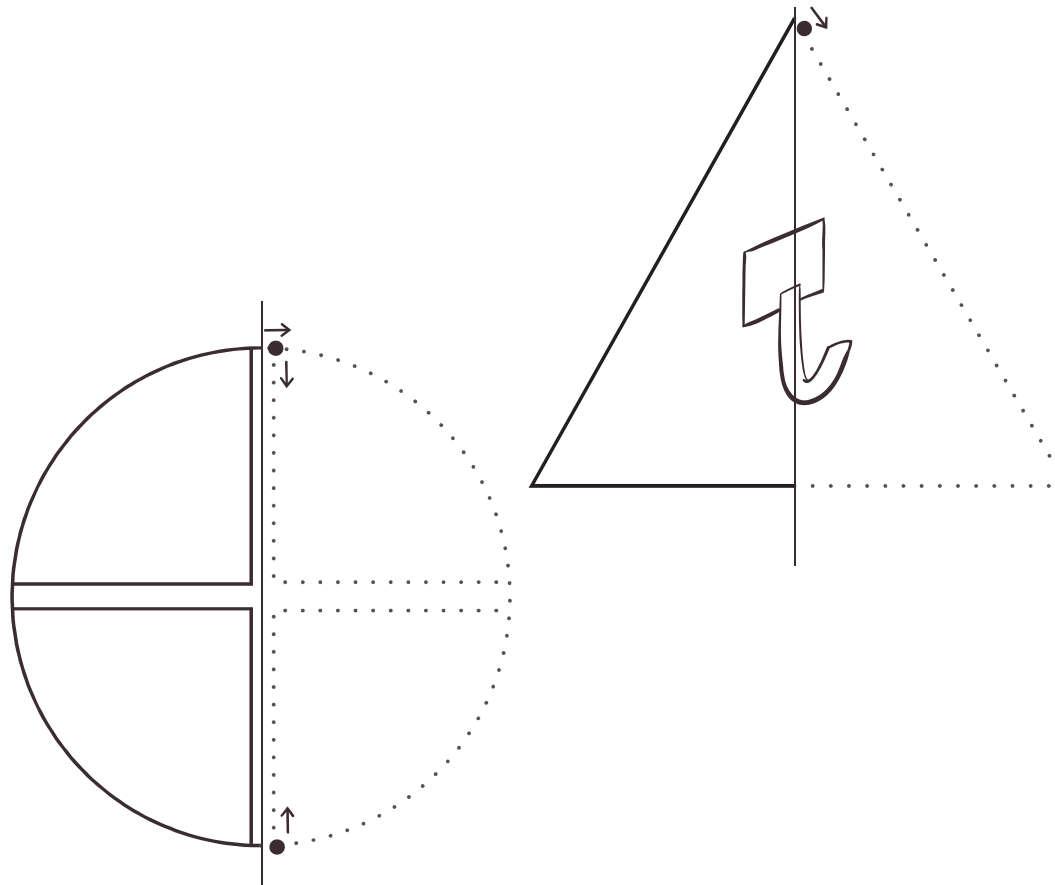
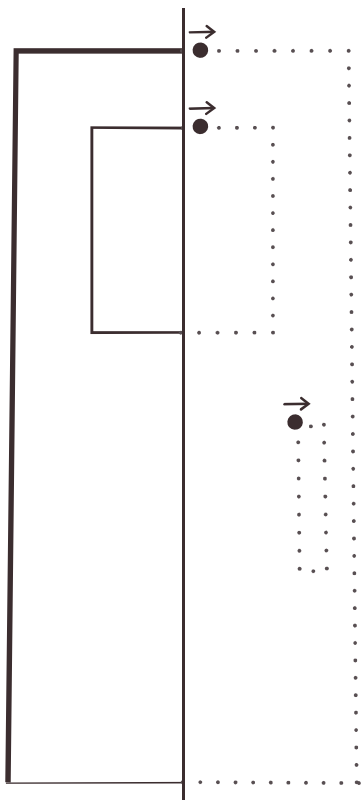


Name and surname _____

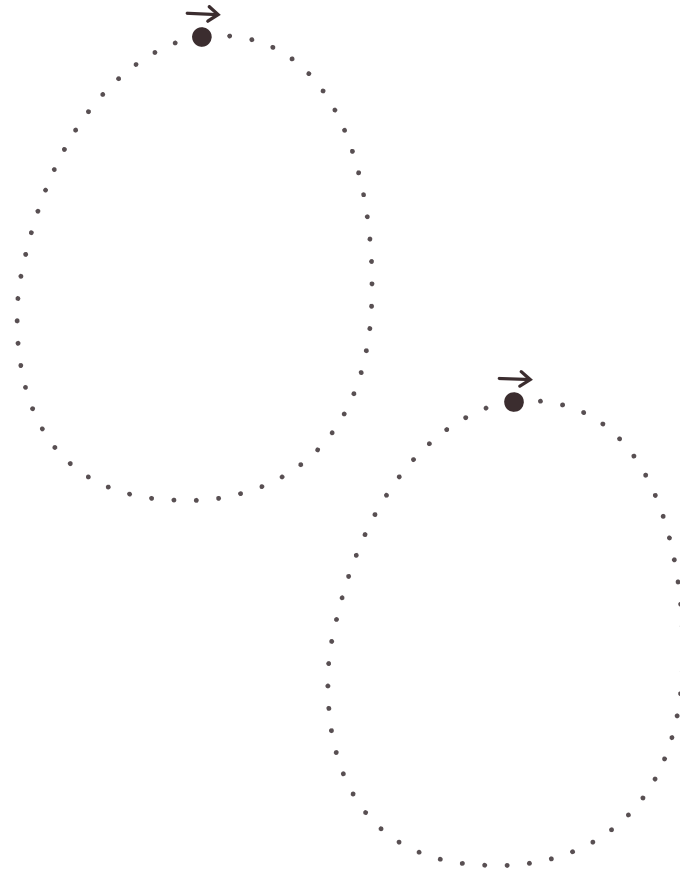
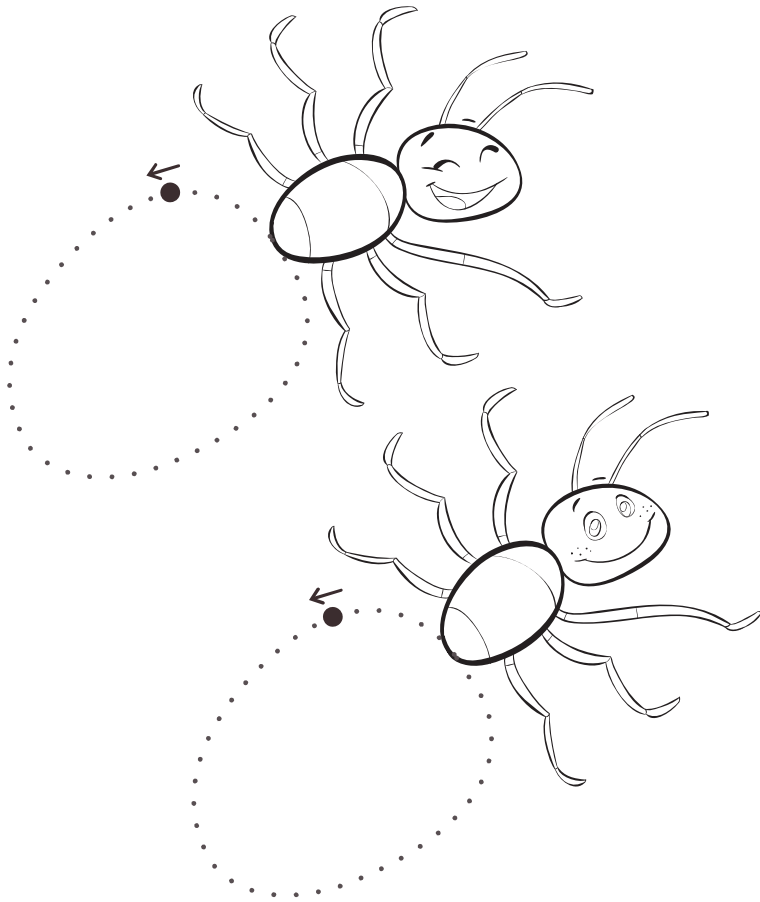
Date _____

Finish the pictures.





Trace and colour the ants black and the eggs red.



ants

eggs